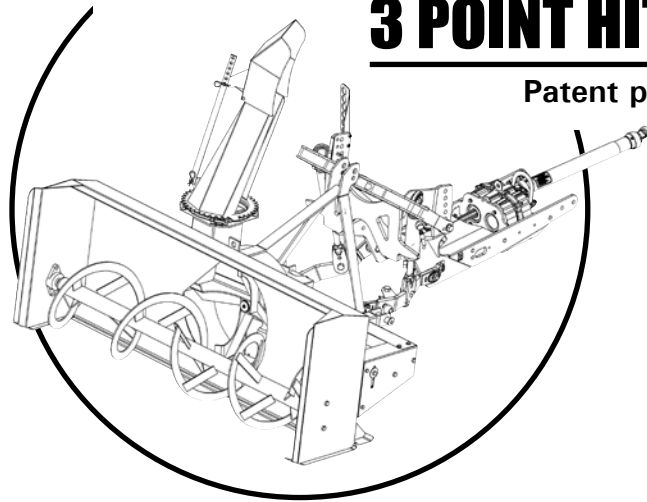


3 POINT HITCH

Patent pending



HARDY FRONT 3 POINT HITCH

With its compact and robust design, the Hardy front 3 point hitch allows the accessories to be placed close to the front of the tractor, thereby reducing the stress on the front axle and improving manoeuvrability. For tractors with a mid PTO setup from 35 to 55 HP.



HR35-55

STANDARD EQUIPMENT

- Driving system and mounting kit.
- Speed reducer (CW or CCW).
- PTO 2000 RPM linking tractor to the reduction box.
- Reduction box drive shaft to the front of the tractor.
- Necessary hardware for installation.



For tractor
35 to 55 HP



You want to go forward? Here is the solution!

- Allows to install a snowblower or other accessories of category 1.
- Combined with a Pronovost or Hardy snowblower, the kit does not require any change. Therefore, the drive shaft supplied with the snowblower can be used.
- Available in clockwise rotation or counterclockwise rotation to accommodate different brands of tractors available on the market.
- The unique synchronized liftarm system also allows the lateral oscillation of the accessory, which allows it to follow the variations of the ground.
- Designed to offer an excellent lift capacity without neglecting the heights of lifting and digging.
- Even with a large range of vertical motion, the angle of the PTO remains adequate to preserve the yoke of the driveshaft.

Go forward !



OPTIONS

— **1** —

Rear support bracing
Necessary if installation with blade or scraper

— **2** —

Hydraulic suspension



SPECIFICATIONS	3 POINT HR35-55	REVERSER HRCCW35-55**	WITHOUT REVERSER HRCW35-55***
HP recommended	35 to 55 HP	-	-
Lift capacity	1500 lbs	-	-
Recommended pressure	2800 psi	-	-
Compatible accessories	CAT 1	-	-
Lift height *	10"	-	-
Digging *	7"	-	-
Rotation speed (input)	-	2000 to 2200 RPM	2000 to 2200 RPM
Rotation speed (output)	-	558 to 614 RPM	600 to 660 RPM
Approximate weight	325 lbs****	67 lbs	121 lbs

* May vary depending on accessory, tractor and tires. Reference only.

** For tractors with counterclockwise rotation mid mount PTO and accessory requiring a counterclockwise rotation.

*** For tractors with clockwise rotation mid mount PTO and accessory requiring a counter clockwise rotation.

**** Weight without drive, without mounting frame kit.



IMPORTANT NOTE

Use of a manufacturer's loader with the Hardy front 3 point hitch :

1 The front 3 point hitch can be installed on the tractor while preserving the manufacturer's mounting kit.

2 The manufacturer's loader can not be used without checking the 3 point hitch as there could be interference between the loader and the front 3 point hitch.

3 If there is interference between the loader and the front 3 point hitch, the 3 point has to be removed (in part or totally) before using the loader.



SHARING PERFORMANCE



HARDY, by les Machineries Pronovost inc.
260, Haut du Lac Sud (route 159)
St-Tite, Quebec, Canada, GOX 3H0
Tel.: (418) 365-7551
Fax: (888) 652-9270
www.pronovost.qc.ca



Dealer:

2014-12

Printed in Canada